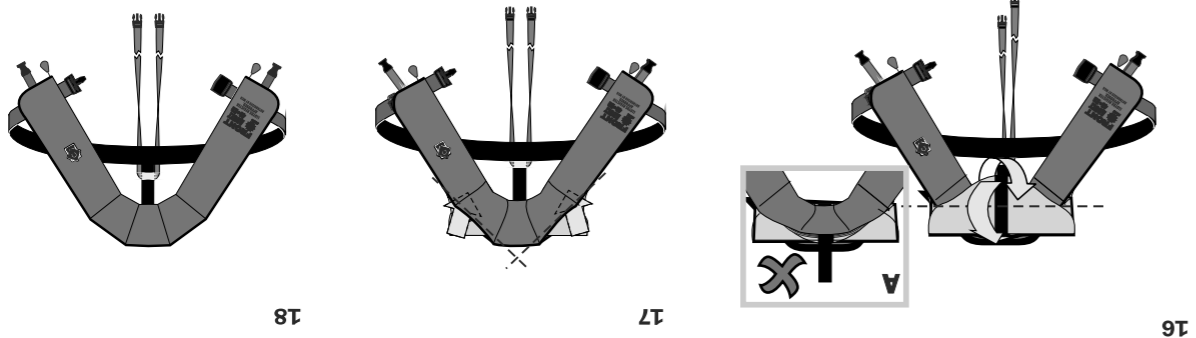
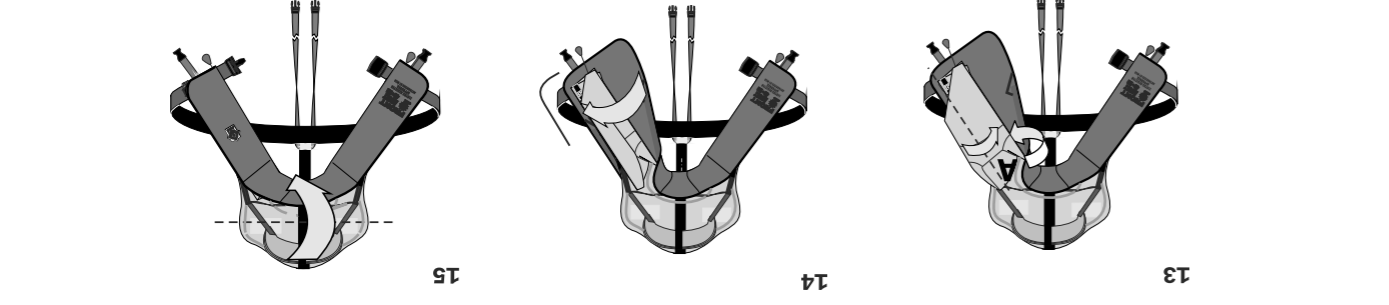
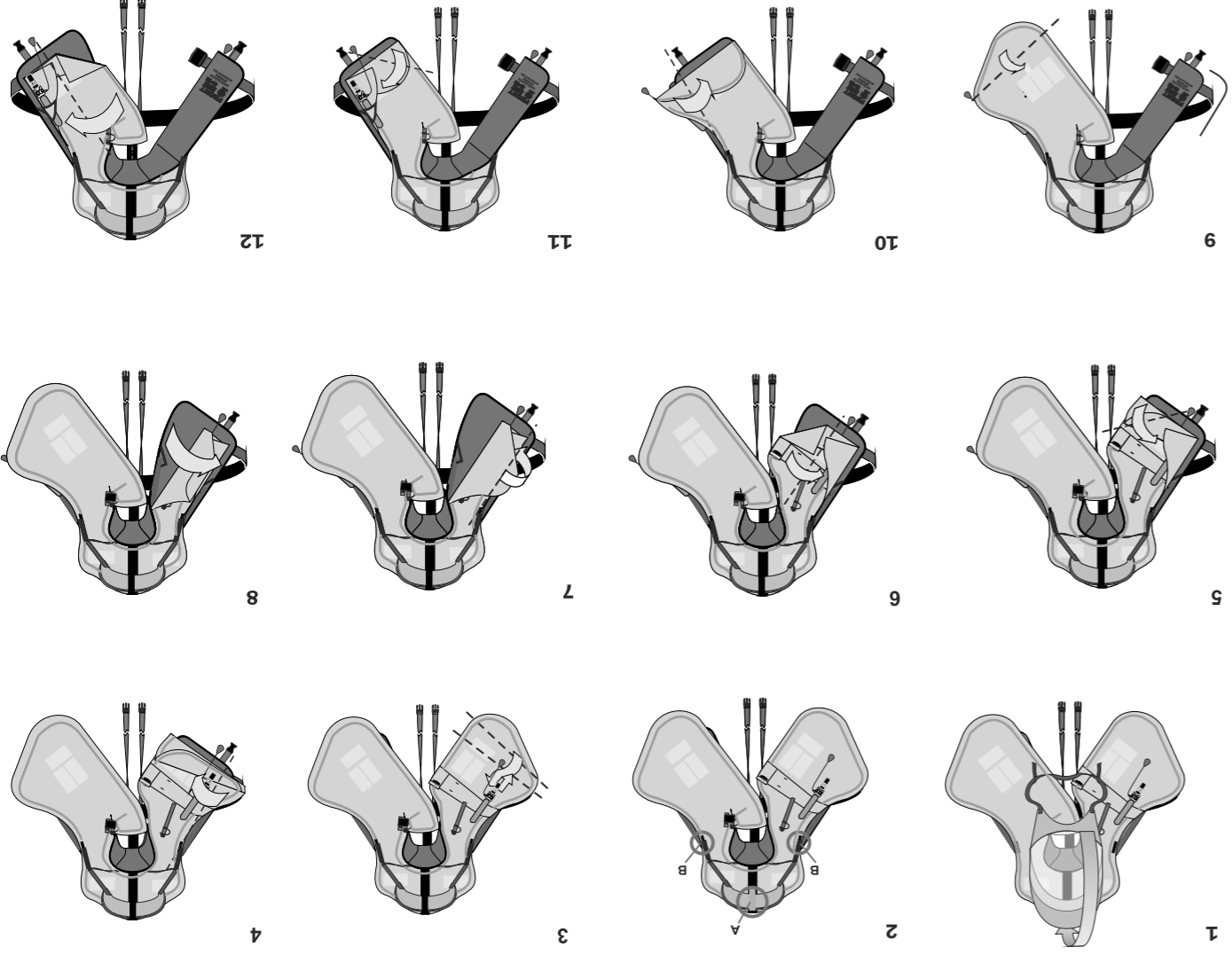
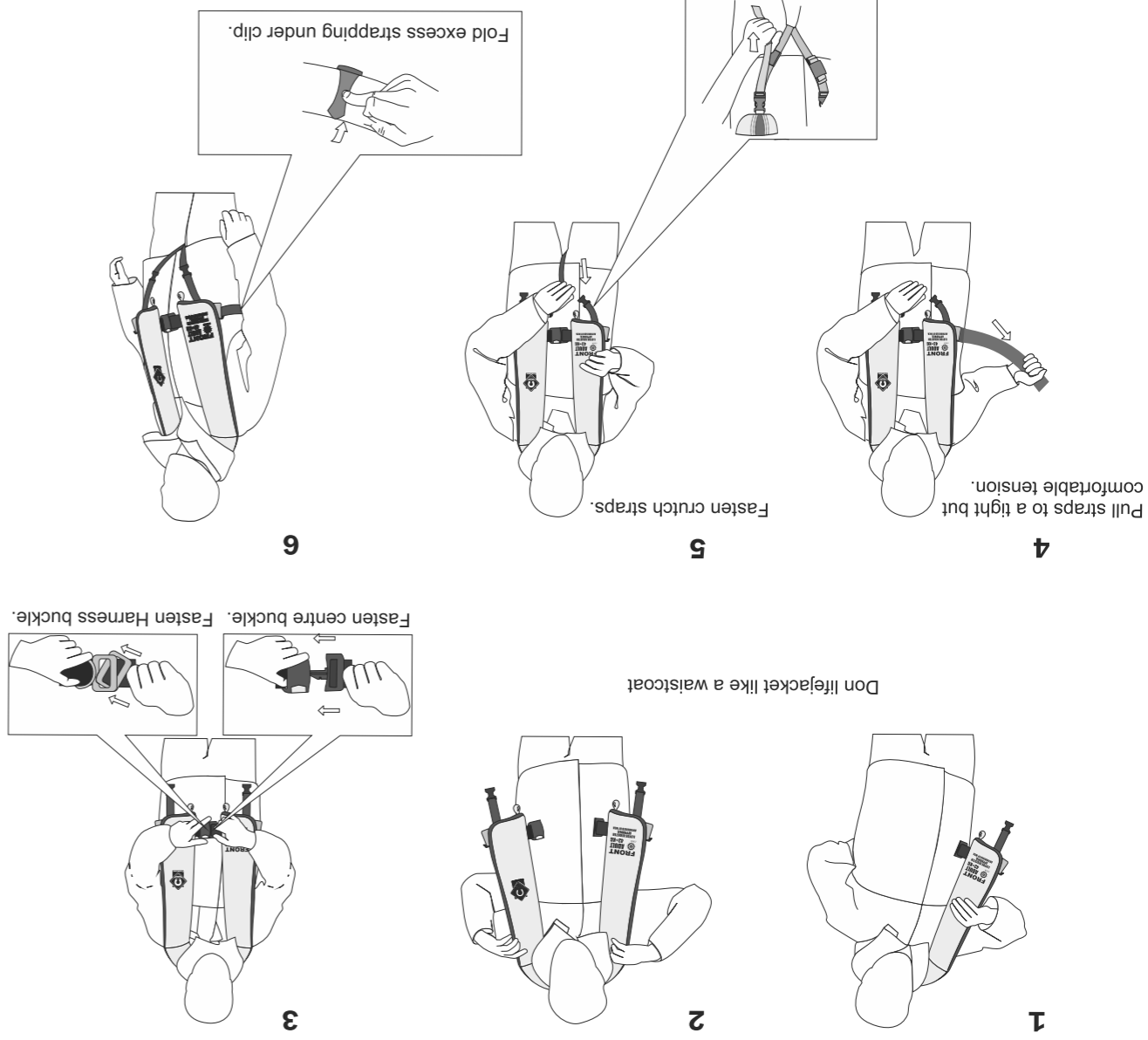




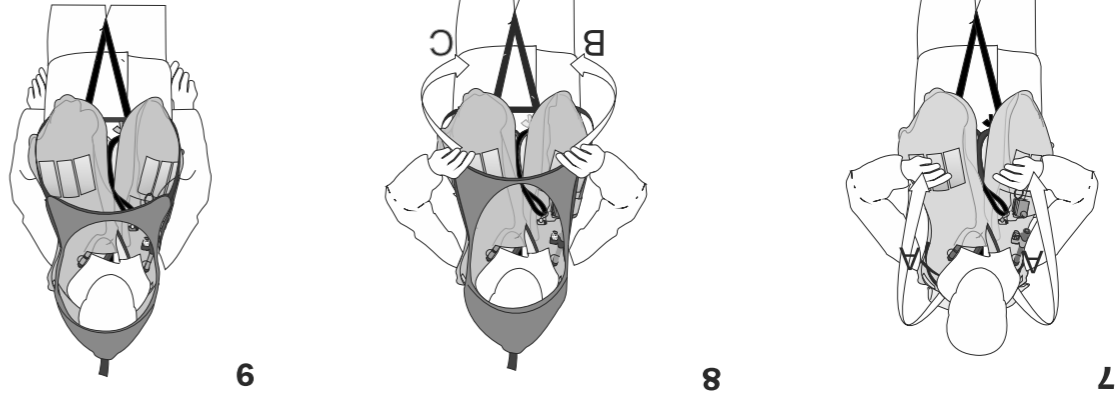
**PACKING INSTRUCTIONS FOR SEACREWSADER 2010 AND CREWFIT TWIN 2010  
LIFEJACKETS**



**DONNING INSTRUCTIONS FOR SEACREWSADER 2010 AND CREWFIT TWIN 2010  
LIFEJACKETS**



**DONNING THE SPRAYHOOD (IF FITTED)**



When lifejacket is fully inflated pull the hood over the head using the hood retainers (A) located either side of the neck.

Pull the retaining loops over the head. Pass hood webbing over the inflated chambers B and C.

Figure 9 shows the hood donned correctly with the hood retainers looped over the outside edge of the inflation chamber.